

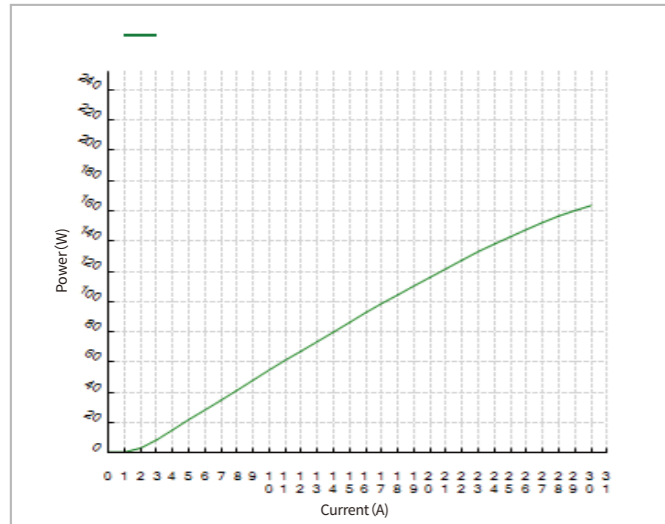
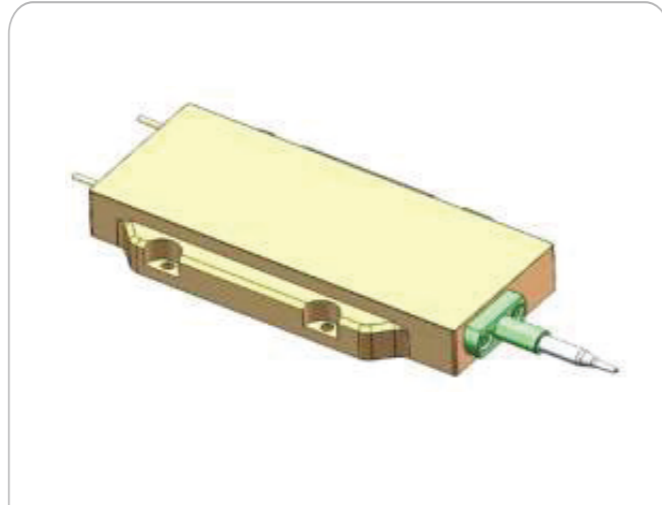
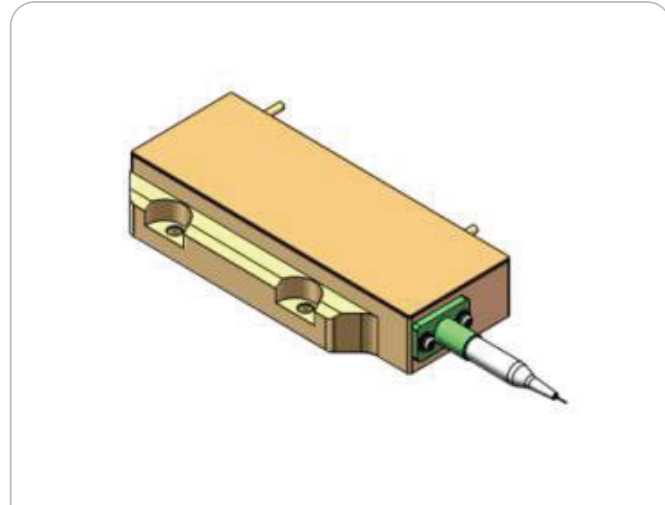
976nm Series Diode Laser

Product Description

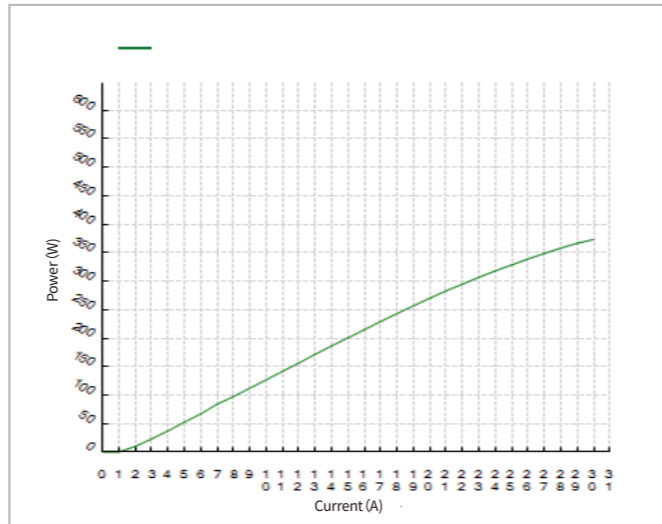
976nm series fiber coupled high power diode laser

Application Advantages

- Multiple single emitter based diode laser, high reliability
- 1040-1200nm Anti-reflection protection



150W Power curve



420W Power curve

Specifications

Parameter	Unit	Parameter			
Product Model	W	976-150	976-200	976-280	976-450
Output Power	W	150	200	280	450
Central Emission Wavelength	nm	976			
Spectral Width (Fwhm)	nm	6			
95% Power Within NA	NA	0.2			
Anti-reflection Range	nm	1040~1200			
Conversion Efficiency	%	48			
Threshold Current	A	1.6			
Operating Current	A	30			
Operating Voltage	V	10.5	16	22.5	33
Core Diameter	μm	135			200
Fiber Clad Diameter	μm	155			220
Operating Temp.	°C	15~40			
Storage Temp.	°C	-20~85			
Wavelength Temperature Coefficient	nm/°C	0.3			
Dimension	mm	122.5×48×17	168.5×72×20.65	186.5×72×20	231.5×72×21.65
Weight	g	≈36	≈1110	≈1300	≈1800

· Customizable products allow flexible configuration of model parameters according to specific needs.